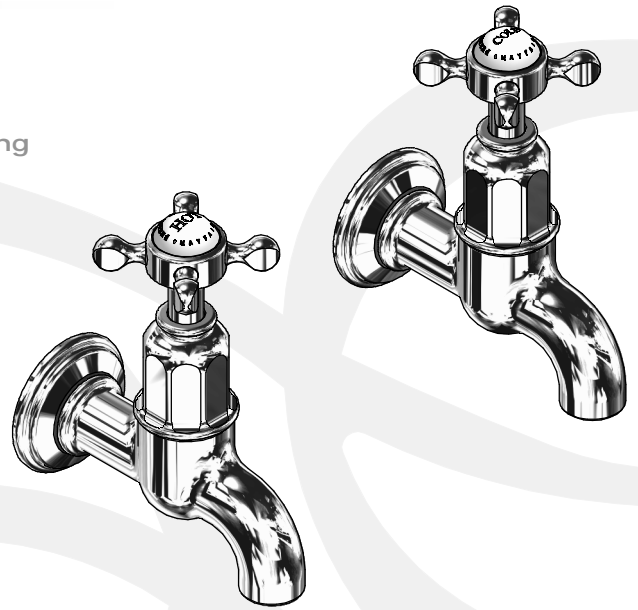


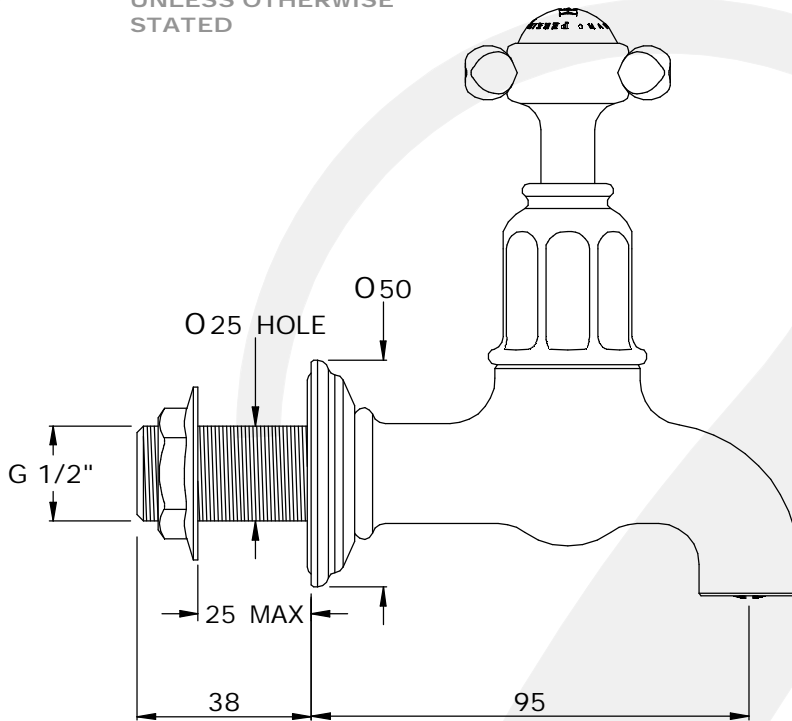
• SPECIFICATION •

• 4328 - MAYAN BIBCOCKS TAPS WALL MOUNTED WITH CROSSHEAD HANDLES (PAIR)*²

- Handcrafted in the UK
- 1/4 turn ceramic disc flow control
- Vernier insert for accurate handle alignment
- Unique handle construction with integral bearing ring
- Ideal for unequal supply pressures



ALL UNITS IN mm
UNLESS OTHERWISE
STATED



Available Finishes:

- Chrome
- Nickel
- Pewter
- Polished Brass
- Satin Brass
- Aged Brass
- Gold
- English Bronze

• Temp Range:
Min 1°C / 34°F
Max 70°C / 158°F

• Recommended
Working Pressure:
Min 0.5bar / 7.5psi
Max 5bar / 75psi

• Packed Weight:
2.11 kg

Available Options:

- 5.0L/min regulated spout (Prefix AR.)
- Matching soap dispensers

Flow Rates:

- 1 Bar: 7.2 L/Min
- 2 Bar: 12.8 L/Min
- 3 Bar: 14.4 L/Min